



2-Stroke Piston Drawing Sheet

Return to: PMI Europe B.V. • Fax: (+31) (0)252 689 252 • info@pmi-europe.nl

Brand: Model: Year:

Measured dimensions: A: B: C: D: E: F: G:

Remarks:

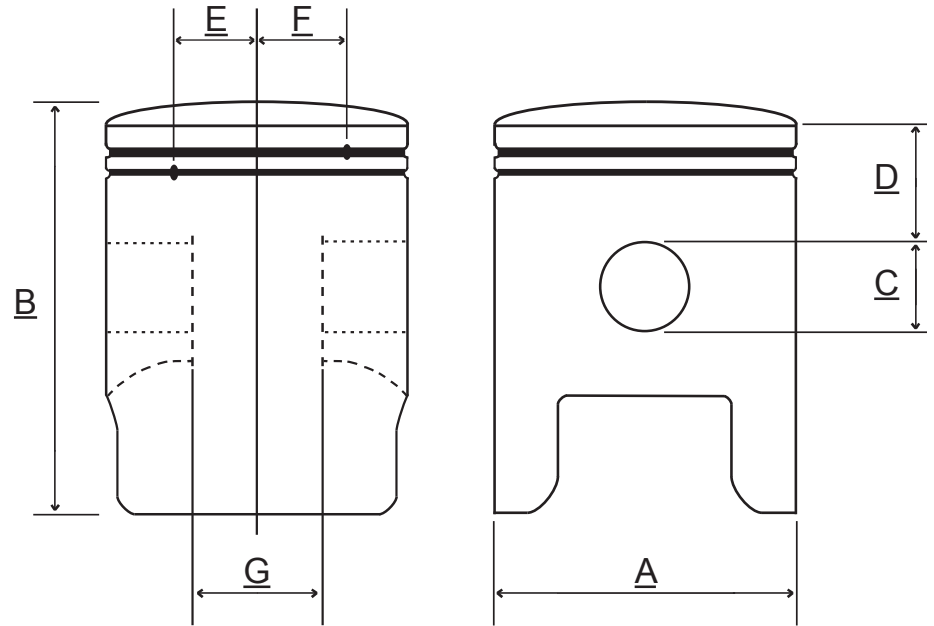
Optional additional information

Piston head details :
 (i.e. flat, dome, inverted dome, etc.)

Piston ring details :
 (i.e. thickness, shape, etc.)

Lubrication holes :

Other :



<u>Sender Information</u>	
Company Name:	
Requested action:	
<input type="checkbox"/>	Return by fax:
<input type="checkbox"/>	Return by e-mail:
Suggest alternative if preferred item is not available: <input type="checkbox"/> Yes <input type="checkbox"/> No	

To be completed by PMI representative:

Suggested Piston Part No.: Description:

Dimensions: A: B: C: D: E: F: G:

Remarks:
