



## 4-Stroke Piston Drawing Sheet

Return to: PMI Europe B.V. • Fax: (+31) (0)252 689 252 • info@pmi-europe.nl

Brand: ..... Model: ..... Year: .....

Measured dimensions: A: ..... B: ..... C: ..... D: ..... E: ..... F: .....

Remarks: .....  
 .....

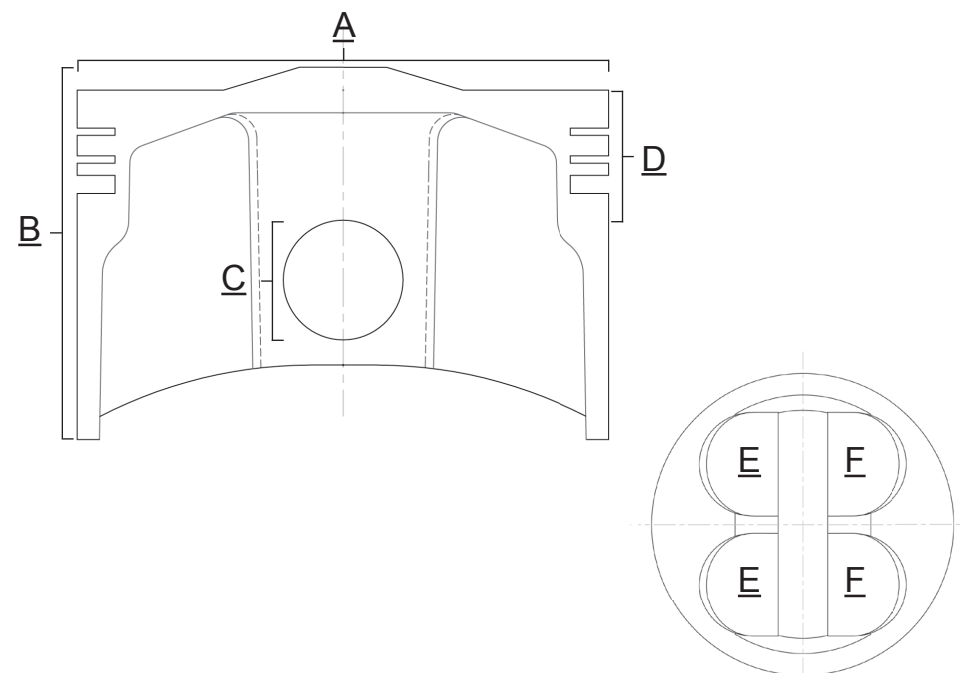
Optional additional information

Piston head details : .....  
 (i.e. flat, dome, inverted dome, etc.)

Piston ring details : .....  
 (i.e. thickness, shape, etc.)

Lubrication holes : .....

Other : .....



Sender Information

Company Name: .....

Requested action:

Return by fax: .....

Return by e-mail: .....

Suggest alternative if preferred item is not available:  Yes  No

To be completed by PMI representative:

Suggested Piston Part No.: ..... Description: .....

Dimensions: A: ..... B: ..... C: ..... D: ..... E: ..... F: ..... G: .....

Remarks: .....  
 .....