



## Connecting Rod Drawing Sheet

Return to: PMI Europe B.V. • Fax: (+31) (0)252 689 252 • info@pmi-europe.nl

Brand: ..... Model: ..... Year: .....  2-Stroke  4-Stroke

Measured dimensions: A: ..... B: ..... C: ..... D: ..... E: ..... F: ..... G: ..... H: ..... I: .....

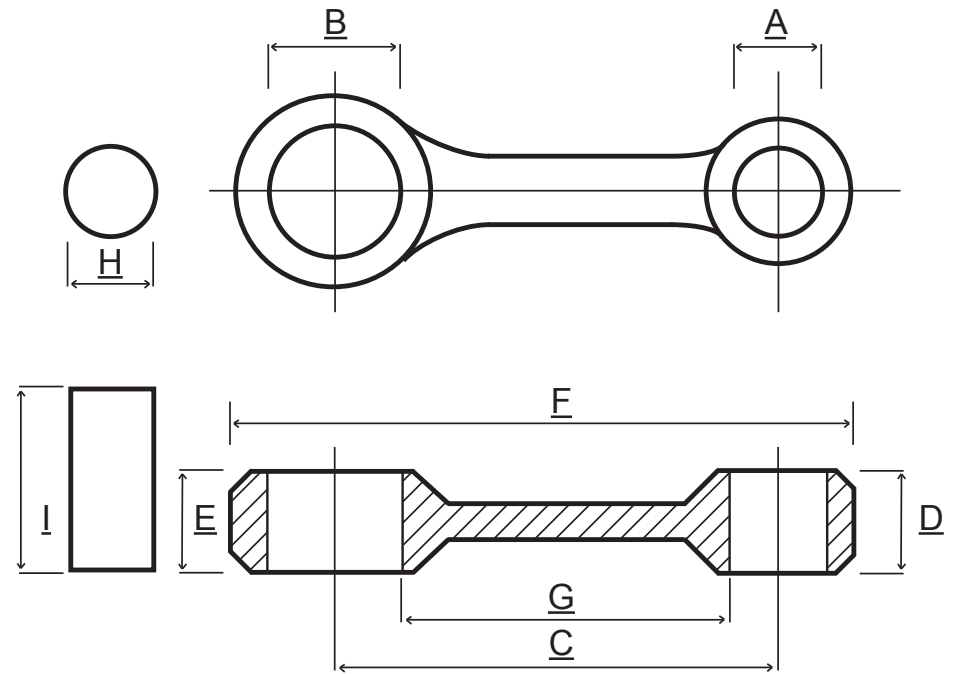
Remarks: .....

Optional additional information

Washer size details : ..... X ..... X .....  
inner outer thickness

Bearing Details : .....  
(i.e. 'M' or 'F' Cage, number of needles, etc.)

Other : .....  
.....



Sender Information

Company Name: .....

Requested action:

Return by fax: .....

Return by e-mail: .....

Suggest alternative if preferred item is not available:  Yes  No

To be completed by ProX representative:

Suggested Connecting Rod Part No.: ..... Description: .....

Dimensions: A: ..... B: ..... C: ..... D: ..... E: ..... F: ..... G: ..... H: ..... I: .....

Remarks: .....